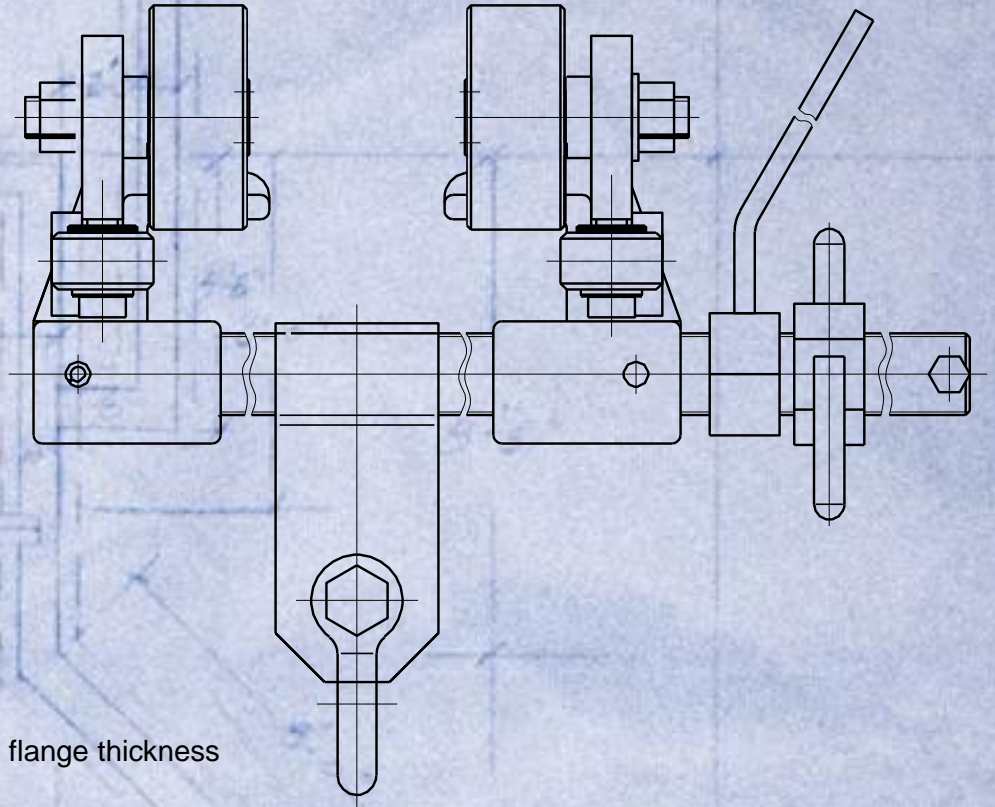


# **GEMTOR**<sup>TM</sup>

*... when your life is on the line<sup>TM</sup>*

## **Spec Sheet**

### **SBT-161 – Sliding Beam Trolley**



#### **Max Working Load**

310 lbs. (One Man)

#### **Ultimate Strength**

5,000 lbs.

#### **Fits Beams:**

4" - 14" flange width, up to 1 1/8" flange thickness

#### **Materials:**

**Jaw** - Stainless Steel 17-4PH

**Jaw Support** - Aluminum Type 6061-T651

**Rollers** - Delrin® 100

**Axle** - Stainless Steel

**Threaded Rod** - 1" Stainless Steel

**Handle** - Stainless Steel

**Wing Nut** - Stainless Steel

**Shackle** – Zinc Plated Forged Steel

**Screws, Nuts, Washers, Etc.** - Stainless Steel

#### **Weight:**

10 lbs.

#### **Certification:**

Meets OSHA, ANSI-Z359.1, ANSI-A10.32

#### **Special Features & Selling Points:**

Unique design provides redundant safety and extremely smooth maneuverability along beam. Made in USA.

Rev. 1/16



Gemtor, Inc. • One Johnson Avenue • Matawan, NJ 07747  
Phone: 732-583-6200 • 800-405-9048 • Fax: 732-290-9391  
Web: [www.gemtor.com](http://www.gemtor.com) • Email: [sales.info@gemtor.com](mailto:sales.info@gemtor.com)

